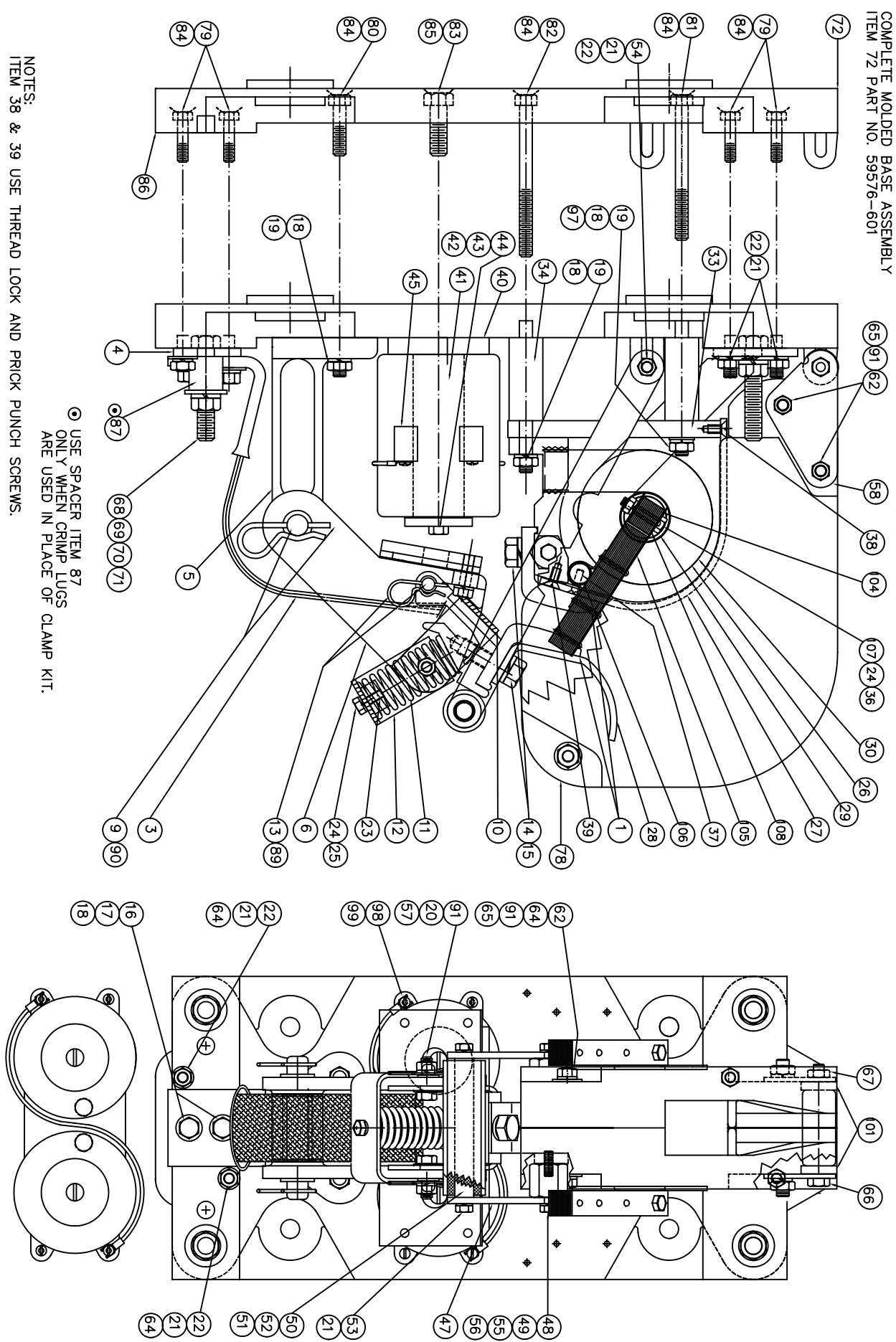


COMPLETE MOLDED BASE ASSEMBLY
ITEM 72 PART NO. 59576-601



NOTES:
ITEM 38 & 39 USE THREAD LOCK AND PRICK PUNCH SCREWS.
○ USE SPACER ITEM 87 ONLY WHEN CRIMP LUGS ARE USED IN PLACE OF CLAMP KIT.

REV	DATE	BY	DESCRIPTION	LINE#	QTY	UNIT	NOTE	ANGLES	DRG. NO.	REF.
E	9-22-00	TJJ	ADDED ITEM 97	1	1	PCB	1	1	DRG. NO. 59576-601	1
D	2-22-00	TJJ	UPDATED DRAWING	2	1	PCB	2	2	DRG. NO. 59576-601	2
C	2-22-00	TJJ	ADDED ITEMS 109 & 110	3	1	PCB	3	3	DRG. NO. 59576-601	3
B	11-21-97	TJJ	ARC TRANSFER WINGS CHANGED	4	1	PCB	4	4	DRG. NO. 59576-601	4
A	6-27-96	WSM	ARC TRANSFER WINGS CHANGED	5	1	PCB	5	5	DRG. NO. 59576-601	5

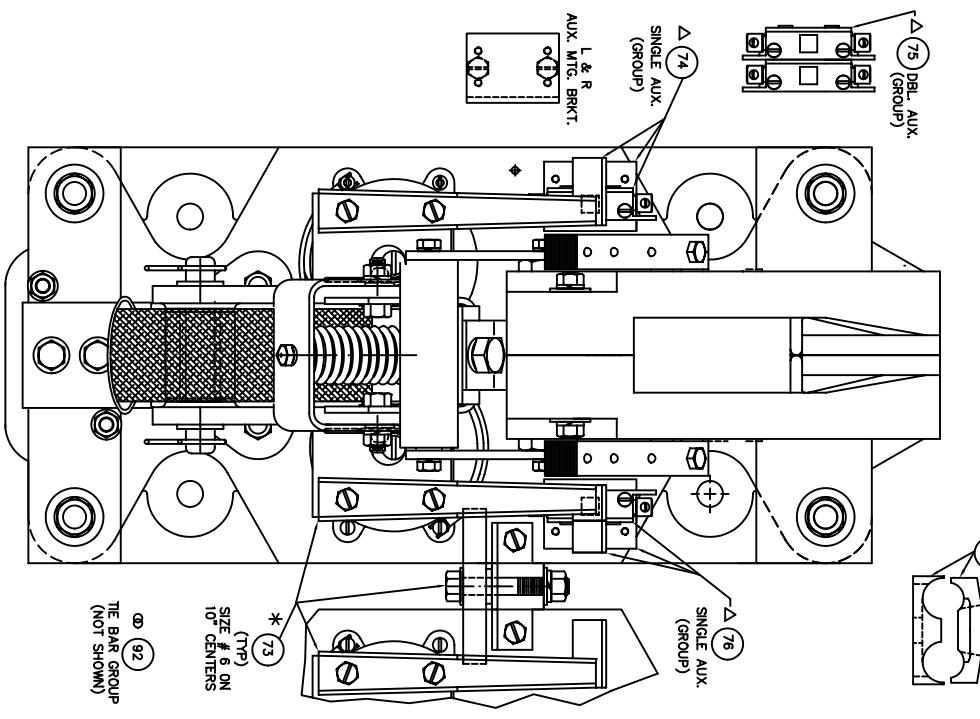
REPAIR PARTS BULLETIN 5110
MOLDED BASE FRONT REMOVABLE
600 AMP, 1 POLE, N.O.
AC CONTACTOR, SIZE 6

Mitsubishi Electric Corporation
 100 Corporate Center Drive
 Charlotte, NC 28226
 DATE: 6-13-96 DR. WSM
 DRG. NO. **IPC-59600-4**
 1 OF 2

NOTE: WHEN ORDERING REPAIR PARTS BE SURE TO FURNISH SERIAL NUMBER & TYPE NUMBER WHICH ARE LOCATED ON THE NAMEPLATE. ALSO PART NAME AND PART NUMBER.

ITEM	DESCRIPTION	QTY	PART NO.
1	CONTACT TIP	2	SEE CHART
2	SHUNT ASSEMBLY	1	59605-611
3	TERMINAL BUSS	1	59390-602
4	ARMATURE SUPPORT ASSEMBLY	1	59608-620
6	ARMATURE ASSEMBLY	1	59608-620
7			
8	ARMATURE HINGE PIN	1	59649-002
10	CONTACT REST YOKE	1	59607-000
11	SPRING	1	67981-009
12	SPRING RETAINER YOK	1	59608-000
13	HOLDER ARM HINGE PIN	1	59649-011
14	500-13 X 1.25 LG. S.S. HEX HEAD SCREW	2	47272-109
15	500 S.S. LOCK WASHER	2	47252-242
16	3/12-18 X 1.00 LG. HEX HEAD SCREW	2	47246-103
17	3/75 S.S. FLAT WASHER	2	47250-285
18	3/75 LOCK WASHER	7	47252-040
19	3/12-18 X 1.00 LG. S.S. HEX HEAD SCREW	5	47253-603
20	3/12-18 X 1.25 LG. S.S. HEX HEAD SCREW	2	47246-082
21	3/12 LOCK WASHER	8	47252-039
22	3/12-18 HEX NUT	6	47253-602
23	SPRING HUB	1	66637-002
24	250 LOCK WASHER	3	47252-039
25	250-20 X .50 LG. SLOTTED HEX HEAD SCREW	1	47245-061
26	BLOWOUT COIL ASSEMBLY	1	59693-601
27	BLOWOUT GUARD	1	59694-801
28	ARC TRANSFER TIP	1	59692-601
29	BLOWOUT CORE INSULATOR	1	59689-802
30	BLOWOUT INSULATION WASHER	2	59587-000
31			
32	SUPPORT PLATFORM	1	59583-000
34	SUPPORT SPACER	3	66670-041
35	250-20 HEX NUT	2	47253-021
37	#10-32 X .75 LG. BRASS FLAT HEAD SCREW	2	47665-090
38	250-20 X .62 LG. FLAT HEAD SCREW	2	47244-168
39	250-20 X .50 LG. BRASS FLAT HEAD SCREW	2	47665-108
40	STATOR PLATE	1	59610-000
41	COIL CORE	2	67828-000
42	COIL CORE CAP SPACER	2	41791-000
43	COIL CORE CAP	2	41763-000
44	3/12-18 X .75 LG. HEX HEAD SCREW	2	47246-079
45	OPERATING COIL (SEE CHART)		
46	NAMEPLATE (NOT SHOWN)	1	58441-069
47	ARMATURE STOP SUPPORT RAIL	2	59597-050
48	250-20 X .75 LG. BRASS STUD	2	57438-050
49	INSULATOR 1 X 1 (250-20)	2	48489-001
50	ARMATURE STOP	1	59596-000
51	ANTI BOUNCE SLEEVE	1	59614-000
52	ANTI BOUNCE WEIGHT	1	59615-008
53	3/12-18 X .62 LG. HEX HEAD SCREW	2	47246-078
54	3/12-18 X 5/25 LG. STUD	1	66475-025
55	250-20 X .50 LG. S.S. HEX HEAD SCREW	2	47779-061

56	250-20 S.S. LOCK WASHER	2	47252-238
57	3/12-18 S.S. HEX NUT	2	47796-103
58	BRACKET	2	59580-000
59			
60			
61			
62	3/12-18 X 3/75 LG. BRASS STUD	3	57438-047
63			
64	3/12 BRASS FLAT WASHER	4	47251-012
65	3/12-18 BRASS HEX NUT	6	47253-013
66	3/12-18 X 3/75 LG. HEX HEAD SCREW	1	47246-555
67	3/12-18 HEX NUT ESNV	1	47301-013
68	HEX HD CAP SCR 1/2-13 X 2-3/4 LG.	4	47246-538
69	500 LOCK WASHER	4	47252-516
70	500 LOCK WASHER	4	47252-042
71	500-13 FULL HEX NUT	4	47253-505
72	MOLDED BASE ASSEMBLY	1	59576-600
73	MECHANICAL INTERLOCK ASSEMBLY (SIZE 6 ONLY)	1	59625-006
74	MECHANICAL INTERLOCK ASSEMBLY (SPL)	1	59625-009
75	PLUNGER AUXILIARY (SINGLE L.H.) GROUP	1	59620-006
76	PLUNGER AUXILIARY (DOUBLE L.H.) GROUP	1	59620-066
77	PLUNGER AUXILIARY (SINGLE R.H.) GROUP	1	59620-108
78	PLUNGER AUXILIARY (DOUBLE R.H.) GROUP	1	59620-168
79	COMPLETE ARC SHIELD ASSEMBLY	1	59682-811
80	3/12-18 X 1.25 LG. HEX HEAD SCREW	4	47246-082
81	3/75-16 X 1.75 LG. HEX HEAD SCREW	2	47246-106
82	3/75-16 X 4.00 LG. HEX HEAD SCREW	2	47246-117
83	3/75-16 X 4.50 LG. HEX HEAD SCREW	2	47246-514
84	500-13 X 1.50 LG. S.S. HEX HEAD SCREW	2	47779-110
85	750 EXTERNAL TOOTH RETAINING RING	2	57429-026
86	875 EXTERNAL TOOTH RETAINING RING	1	59576-003
87	SPACER (QTY. 4) OR AS REQUIRED	1	66670-040
88	HAIR PIN COTTER	2	57403-005
89	HAIR PIN COTTER	2	57403-006
90	HAIR PIN COTTER	2	57403-006
91	3/12 S.S. LOCK WASHER	8	47252-239
92	THE BAR GROUP SIZE 6 ONLY (NOT SHOWN)	1	59400-026
93			
94			
95			
96			
97	3/75 FLAT WASHER	1	47250-020
98	CHAMP TERMINAL	2	57513-068
99	CONTROL WIRE #14 X 9.25 LG.	1	8211410614
100	ARC SHIELD SPACER	2	67988-006
101	CLAMP TERMINAL (QTY. 4) OR AS REQUIRED	2	57500-058
102	AC CORE ASSEMBLY	1	59631-000
103	AC SIDE ARM ASSEMBLY	1	59632-000
104	SUPPORT BAR (AC SIDE ARMS)	1	59636-800
105	250-20 X 1.25 LG. HEX HEAD SCREW	2	47246-068
106	AC BLOWOUT CORE ASSEMBLY	1	59630-800
107			
108			



NOTES: * Δ ⊙ ⊕ ⊖ (NOT INCLUDED WITH COMPLETE CONTACTOR ASSEMBLY).

* ITEM 73 MECHANICAL INTERLOCK ASSEMBLY PART NO. 59625-006 (ORDERED SEPARATELY).

Δ ITEM 74,75,76,77 PLUNGER AUXILIARY GROUP (INCLUDING KNOCKER, BRACKET AND MTG. HARDWARE) (ORDERED SEPARATELY).

⊙ ITEM 73A SPECIAL INTERLOCK BAR ASSEMBLY; USED ONLY WHEN CONTACTORS ARE SPACED AT 11.00" CENTERS. (ORDERED SEPARATELY).

⊕ ITEM 92 THE BAR GROUP SIZE 6 ONLY (10" MTG. CENTERS) (NOT SHOWN) (ORDERED SEPARATELY).

⊖ ITEM 102 CLAMP TERMINAL P/N 57300-068 1/0, 300 MOM (ORDERED SEPARATELY).

⊙ ITEM 87 SPACER USED ONLY WHEN POWER CRIMP TERMINALS ARE USED. (ORDERED SEPARATELY).

Rev	DATE	BY	DESCRIPTION
A	2-22-00	TU	UNPATED DRAWINGS

LINE#	QTY	UNIT PRICE	AMOUNT
0.0X	±.000	5.00Z	5.00Z
0.0X	±.000	5.00Z	5.00Z
0.0X	±.005	5.00Z	5.00Z

DATE: 06/13/96 DR: WSM

DRG. NO. **RPC-59600-4**

2 OF 2